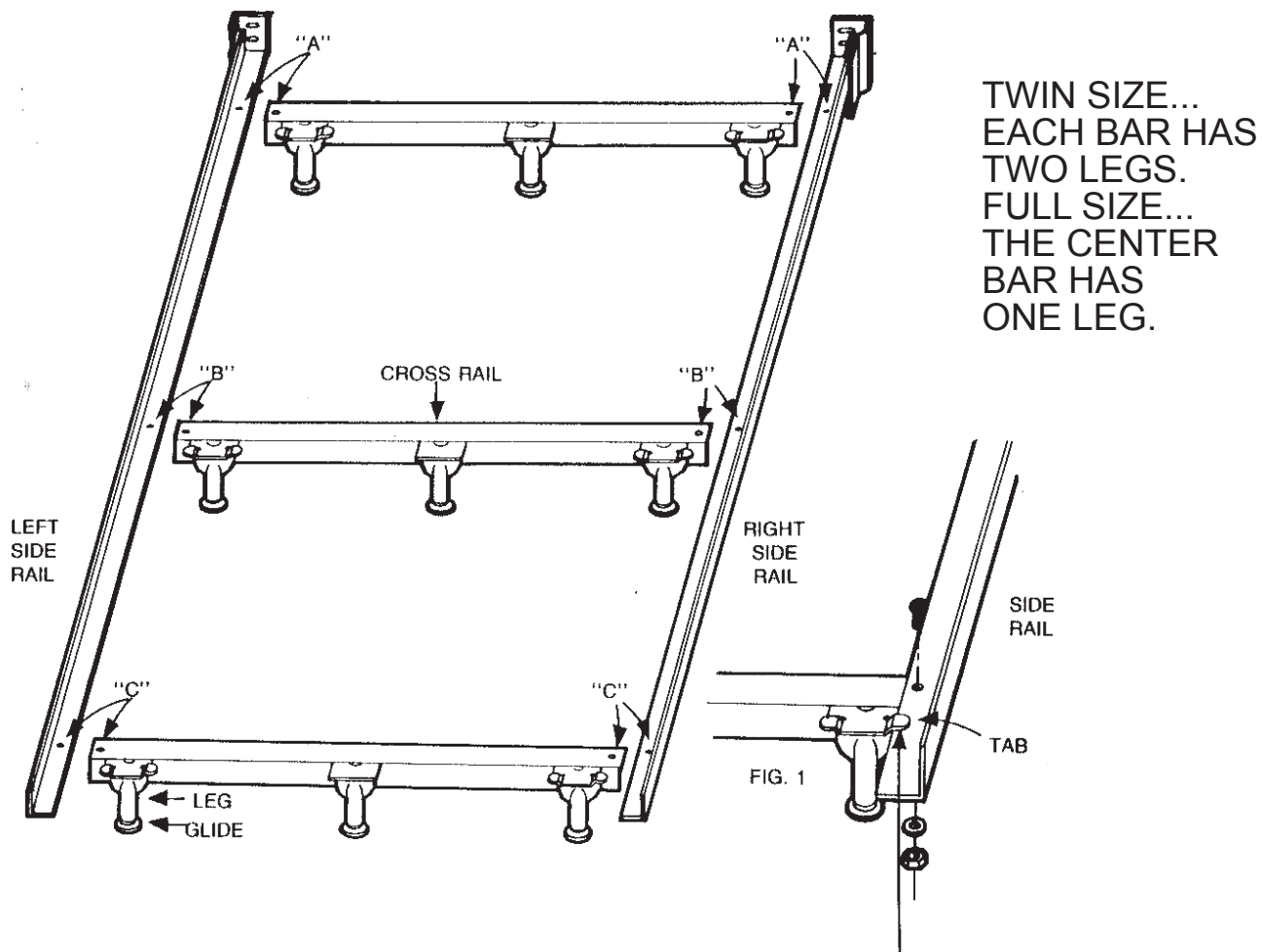


GLIDEAWAY

ASSEMBLY INSTRUCTIONS FOR GLIDEAWAY WATERBED FRAMES

MODELS:

T13WB (TWIN), F23WB (FULL), Q33WB (QUEEN), K43WB (KING)



TWIN SIZE...
EACH BAR HAS
TWO LEGS.
FULL SIZE...
THE CENTER
BAR HAS
ONE LEG.

INSTRUCTIONS FOR BOLT-ON HEADBOARD ONLY WATERBED FRAMES

STEP ONE: LEG TAB--BE SURE TAB SLIDES OVER TOP OF RAIL FLAT SURFACE. FIG. 1

STEP TWO: SLIDE TAB OF LEG ON CROSS RAIL OVER SIDE RAIL
AND ADJUST SO AS TO ALIGN HOLE ON CROSS RAILS WITH HOLE ON SIDE RAIL.

STEP THREE: FASTEN CROSS RAIL TO SIDE RAIL WITH NUTS, BOLTS
AND WASHERS PROVIDED, AT "A", "B", "C" LOCATIONS. TIGHTEN SECURELY.

STEP FOUR:
PLACE INSERTS AND GLIDES INTO LEGS

INST WB REVISION 10-2003

GLIDEAWAY BED CARRIAGE MANUFACTURING CO.