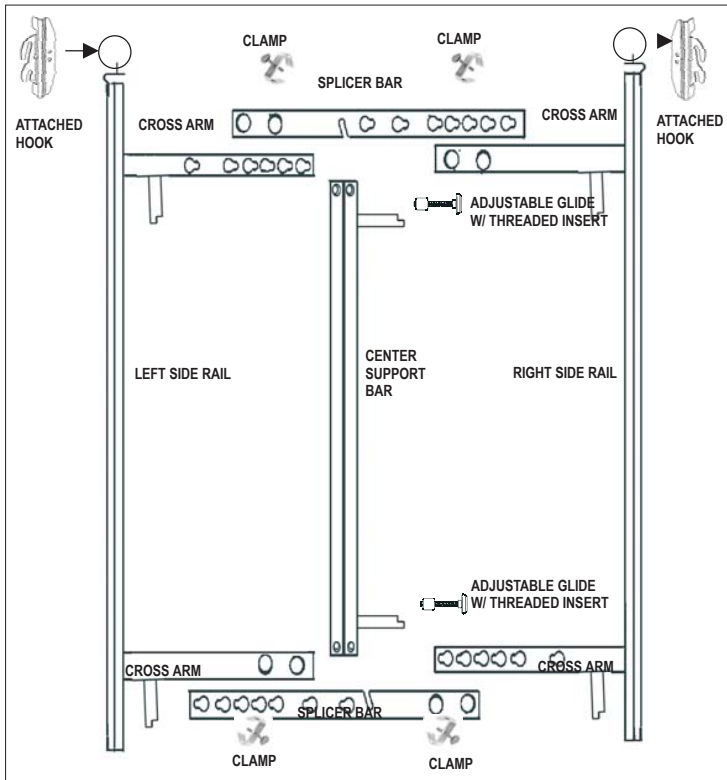


GLIDEAWAY

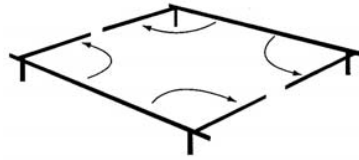
Hook-On headboard only frame for King size beds.

BED FRAME INSTRUCTIONS FOR **K88N**



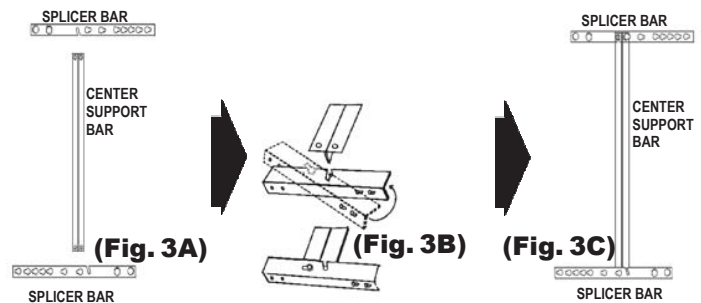
STEP 1

Unfold cross arms from under side rail.



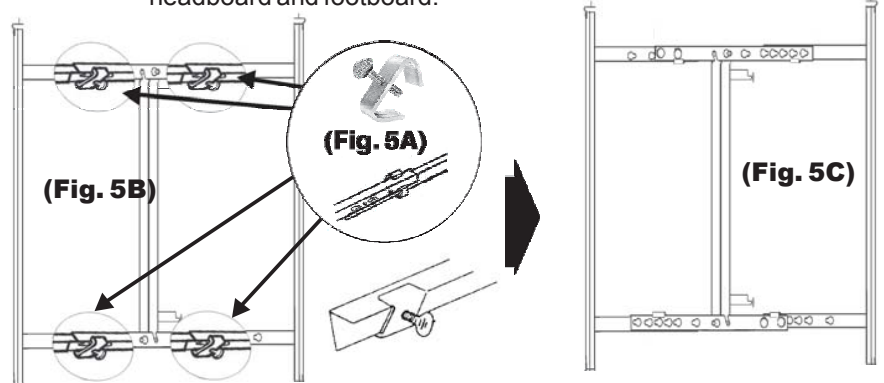
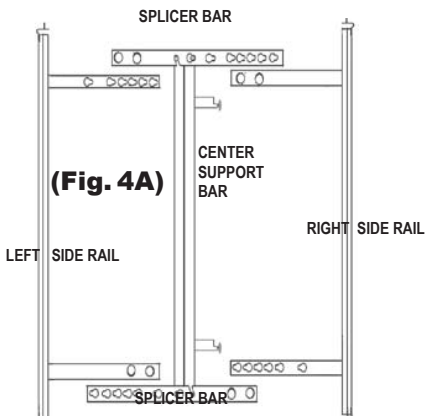
STEP 2

Attach the 2 splicer bars to the center support bar as shown in (Fig. 3A), (Fig. 3B) and (Fig. 3C).



STEP 3 Place center bar with attached splicer bars in between the two side rails as shown in (Fig 4A)

STEP 4 Slide the clamps (Fig. 5A) onto the cross arms as shown in (Fig 5B). Once all four clamps have been attached and loosely tightened (Fig 5C), you are ready to attach the rails to the headboard and footboard.



STEP 5

Hook the rails into the headboard on all both corners as shown in (Fig. 6A).

STEP 6

Hand tighten all clamps as shown in (Fig. 7A).

STEP 7

Adjust all glides so that the bed is level (Fig. 8A).

